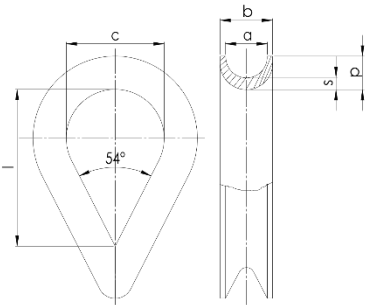


Kovs, DIN 6899 / Galvaniseret
Thimble, DIN 6899



VARE NR.	DS-Ø FOR ROPE-Ø	A MM	B MM	C MM	H MM	P MM	S MM
121003	2,5	3	6	12	19,0	3,8	1,6
121004	3,5	4	7	13	21,0	4,5	1,6
121005	4,0	5	8,6	14	23,0	5,1	1,9
121006	5,0	6	9,6	16	25,0	5,6	2,4
121007	6,0	7	10,6	18	28,0	6,0	2,4
121008	7,0	8	12,0	20	32,0	7,0	2,8
121010	9,0	10	14,0	24	38,0	7,2	3,1
121012	11,0	12	17,0	28	45,0	9,4	3,3
121013	12,0	13	18,0	30	48	10,0	3,2
121014	13,0	14	20,0	32	51,0	10,5	3,4
121016	15,0	16	22,0	36	58,0	10,5	3,8
121018	16,0	18	24,0	40	64,0	11,7	4,7
121020	18,0	20	30,0	45	72,0	15,0	5,7
121022	20,0	22	34,0	50	80,0	16,0	5,7
121024	22,0	24	36,0	56	90,0	17,0	6,5
121026	24,0	26	38,0	62	99,0	21,5	6,8
121028	26,0	28	44,0	70	112,0	21,5	8
121030	28,0	30	46,0	75	120,0	25,5	8
121032	30,0	32	50,0	80	128,0	26,5	8
121034	32,0	34	52,0	95	152,0	26,5	8
121036	34,0	36	54,0	100	160,0	27,5	8,5
121038	36,0	38	56,0	110	176,0	27,5	8,5
121040	38,0	40	56,0	115	184,0	27,5	8,5
121042	40,0	42	58,0	120	192,0	33,0	10,5
121045	42,0	45	61,0	150	240,0	37,5	10,5