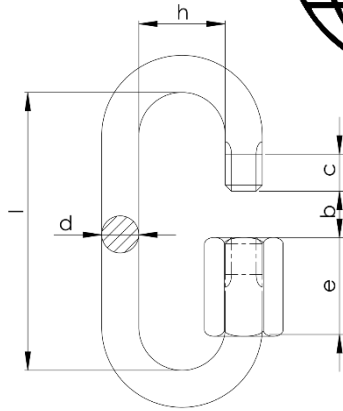


P-Led, DIN 56927 Form A / El-Galvanized  
Quick link, Din 56927 Form A



Vare Nr. Item-no.	B mm	C mm	D mm	e mm	h mm	i mm	**BL T.
<b>Spørg/ask</b>	5,0	2,0	3,5	11,0	10,0	29,0	0,05
	5,5	2,5	4,0	12,5	11,5	31,5	0,09
	6,5	3,0	5,0	16,0	13,0	39,5	0,14
	7,5	4,0	6,0	19,0	14,5	45,0	0,20
	8,5	5,0	7,0	21,5	16,0	52,0	0,28
	11,0	5,5	8,0	24,0	17,5	58,0	0,35
	11,0	3,0	9,0	26,0	19,0	62,0	0,45
	12,0	7,0	10,0	29,0	20,5	69,0	0,55
	15,0	8,5	12,0	33,0	23,5	80,5	0,75
	17,0	9,5	14,0	38,5	26,5	93,0	1,10