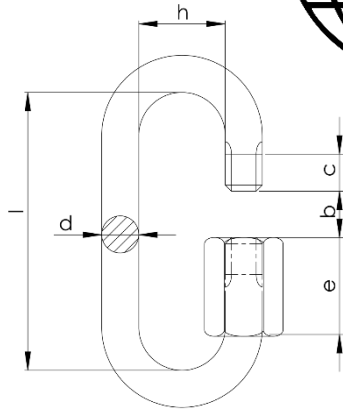


P-Led, DIN 56927 Form B / El-Galvanized  
Quick link, Din 56927 Form B



Vare Nr. Item-no.	B mm	C mm	D mm	e mm	h mm	i mm	**BL KG
141035	10	2,0	3,5	16,0	10,0	39,0	50
141040	11,5	2,5	4,0	19,0	11,5	45,0	917
141050	13,0	3,0	5,0	22,0	13,0	52,0	1400
141060	14,5	4,0	6,0	25,0	14,5	58,6	2000
141070	16,0	5,0	7,0	28,0	16,0	65,0	2804
141080	17,5	5,5	8,0	31,5	17,5	72,0	3500
141090	19,0	6,0	9,0	33,0	19,0	77,0	4500
141100	20,5	7,0	10,0	36,0	20,5	85,5	5500
141120	23,5	8,5	12,0	43,0	23,5	100,0	7500
141140	26,5	9,5	14,0	49,0	26,5	114,0	11216
141160	29,0	-	16,0	-	-	-	-